

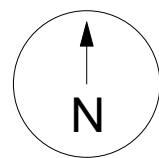
Note:

this is a preliminary design study based on the level of information available.

Subject to measured survey, legal, structural, soil investigation, utilities survey and M&E consultation together with local authority negotiation.

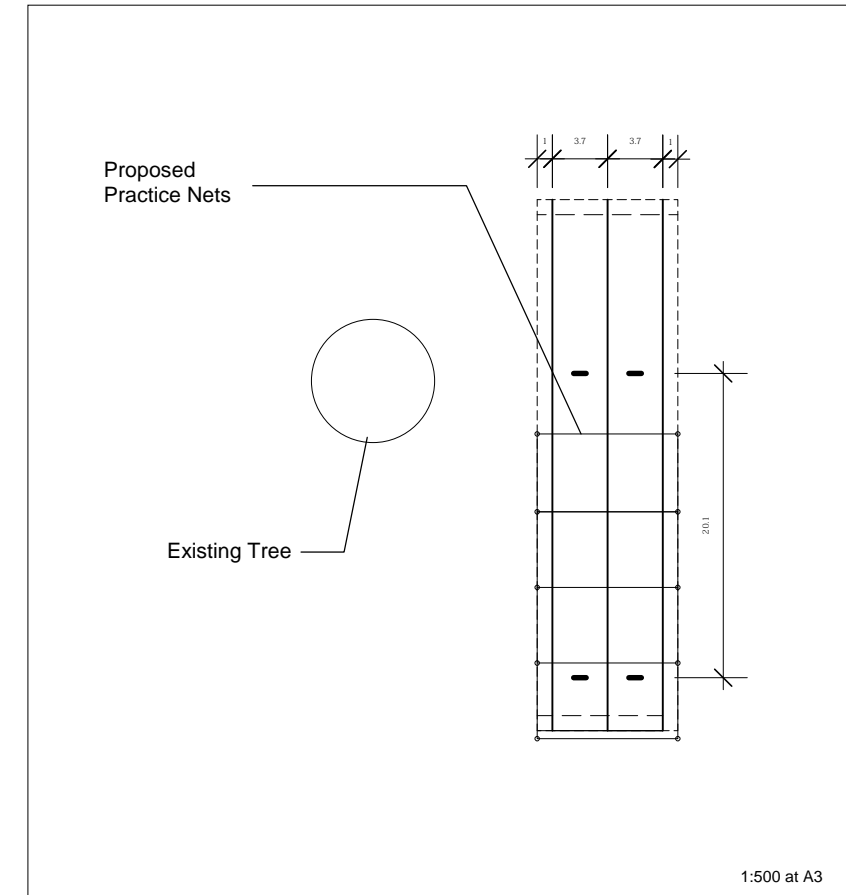


Ordnance Survey (c) Crown Copyright 2011. All rights reserved. Licence number 100020449



1:1000 at A3

Practice Nets Positioning



Net Measurements

